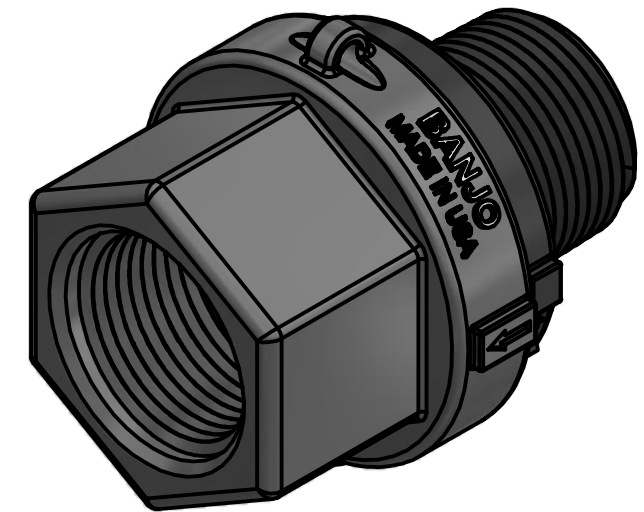
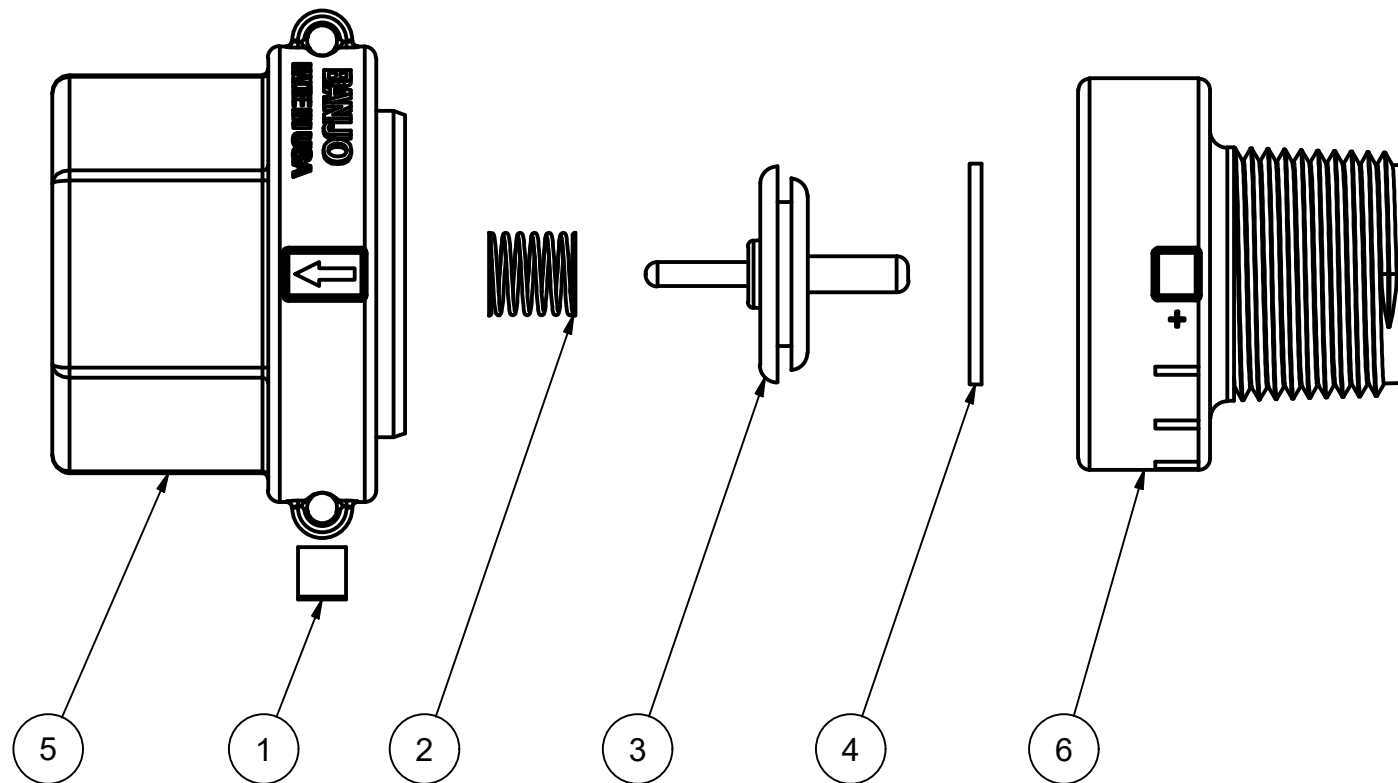


Parts List			
ITEM	QTY	PART NUMBER	DESCRIPTION
1	1	CV1001	CV SPRING PSI DECAL
2	1	CV101	1 PSI SPRING
3	1	CV10155	1" CHECKVALVE POPPET
4	1	CV10175	GASKET, EPDM
5	1	CV10256	1" NPT CHECKVALVE MALE HALF
6	1	CVMT10254	1" NPT FEMALE BODY HALF



NOTE:
OPENING PRESSURE APPROXIMATELY 1 PSI



THIS DRAWING AND ALL INFORMATION CONTAINED THEREON ARE THE EXCLUSIVE PROPERTY OF BANJO CORPORATION.

UNLESS SPECIFICALLY NOTED, THIS DRAWING AND ITEMS SHOWN ON THIS DRAWING ARE SUBJECT TO CHANGE AT ANY TIME.

BANJO
CORPORATION

BANJO CORPORATION
150 BANJO DRIVE, CRAWFORDSVILLE, IN 47933
WEB SITE: WWW.BANJOCORP.COM
E-MAIL: BANJOSALES@IDEXCORP.COM

DESCRIPTION
1" NPT MALE X FEMALE CHECK-VALVE ASSEMBLY

PART NUMBER
CV100MT